

# SERVER®

• E S S E N T I A L S •

## Stainless Steel Pumps 2 oz Pumps

SPECIFICATION SHEET

### FAST FACTS

Stainless steel 2 oz pumps dispense portions of thick condiments and sauces. A full portion for these models is 2 oz and can be reduced to serve 1 <sup>3</sup>/<sub>4</sub>, 1 <sup>1</sup>/<sub>2</sub> and 1 <sup>1</sup>/<sub>4</sub> oz with the included portion collars.

### APPLICATIONS

- Heated, ambient, or chilled food table
- Standardized servings of condiments, dressings, savory and dessert sauces
- Adjustable, portion-controlled serving
- Stainless steel pump is NSF listed, clean-in-place certified or can be disassembled for cleaning
- Colored, engraved pump knob quickly identifies contents (specify when ordering); black is standard

### DETAILS

- Fits standard vegetable inset
- Stainless steel pump is NSF listed, clean-in-place certified or can disassemble for cleaning
- Request a colored pump knob engraved with your contents for a clean presentation; black is standard

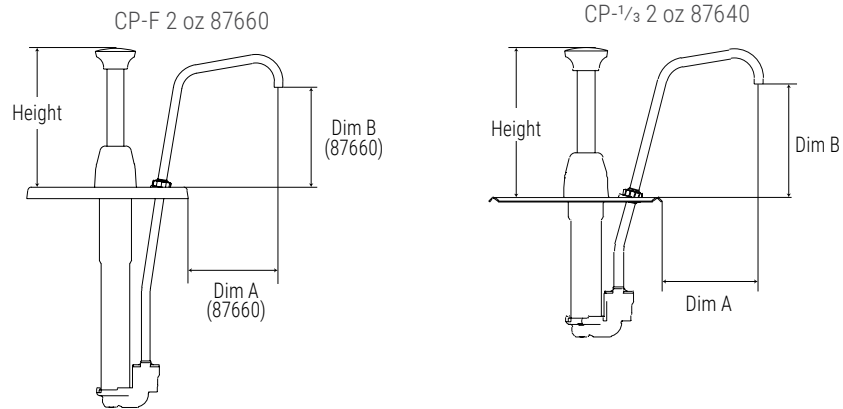


SEE TABLE FOR APPLICABLE TRAITS BY MODEL	
DISPENSES KEY	<b>THIN</b> fountain syrups • oils • hot sauce
	<b>THICK</b> ketchup • mustard • mayo • bbq
	<b>THICKER</b> tartar sauce • crafted sauces
APP KEY	<b>AMBIENT</b> <b>COLD</b> <b>HOT</b>

## Portion control for bigger profits.

### STAINLESS STEEL 2 OZ PUMP MODELS: CP-F, CP-8 1/2, CP-1/3 & CP-10 1/2

Server 2 oz stainless steel pumps dispense from a variety of food containers (sold separately). Each stainless steel pump is constructed with a cast valve body featuring captured balls to prevent loss. Pump comes with 1/2 oz and 1/4 oz portion reduction gauging collars. Pump knob can be colored and engraved to label contents; black is standard. NSF listed and clean-in-place certified. BPA Free. Two-year warranty.



order amt	dispenses	model/item	application	capacity	dims (H x W x D)	dim a	dim b	full portion	weight
<input type="checkbox"/>		<a href="#">CP-F 2oz 87660</a>		3 1/2 qt	6 1/8" x 4 1/2" x 7 1/8"	3 7/8"	4 1/2"	2 oz	3 lb
<input type="checkbox"/>		<a href="#">CP-8 1/2 2oz 87620</a>		7 qt		2 3/4"	3 5/32"		
<input type="checkbox"/>		<a href="#">CP-1/3 2oz 87640</a>		6 qt		4"	4 13/16"		
<input type="checkbox"/>		<a href="#">CP-10 1/2 2oz 87680</a>		11 qt		2 3/4"	3 5/32"		

### ACCESSORIES

order amt	item	description	order amt	item	description
<input type="checkbox"/>	<a href="#">82558</a>	fountain jar, plastic, white, 7 1/2"	<input type="checkbox"/>	<a href="#">83156</a>	fountain jar, plastic, orange, 10"
<input type="checkbox"/>	<a href="#">82557</a>	fountain jar, plastic, white, 10"	<input type="checkbox"/>	<a href="#">84031</a>	8 1/2", 7 qt vegetable inset
<input type="checkbox"/>	<a href="#">83147</a>	fountain jar, plastic, black, 7 1/2"	<input type="checkbox"/>	<a href="#">84131</a>	10 1/2", 11 qt vegetable inset
<input type="checkbox"/>	<a href="#">83149</a>	fountain jar, plastic, black, 10"	<input type="checkbox"/>	<a href="#">90089</a>	1/6-size steam table pan, 6" deep
<input type="checkbox"/>	<a href="#">83148</a>	fountain jar, plastic, orange, 7 1/2"	<input type="checkbox"/>	<a href="#">90083</a>	1/3-size steam table pan, 6" deep

PUMP MORE PROFITS WITH STAINLESS STEEL 2 OZ PUMPS  
 SERVER-PRODUCTS.COM | 800.558.8722 | 262.628.5600