

# SERVER®

• E S S E N T I A L S •

## Soup Warmers Twin and Triple Inset

SPECIFICATION SHEET

### FAST FACTS

Twin & Triple Inset Warmers are NSF listed rethermalizers for safe serving from first serving to last while individual thermostat controls and stainless steel water baths keep food at its ideal temperature to eliminate wasted servings.

### APPLICATIONS

- Heat and hold a variety of soups, sauces or proteins at specific temperatures
- Pre-make soups and sauces, heat from cooled or frozen state as needed

### DETAILS

- Larger capacity (5 qt) inset leaves room to stir
- Offer variety with a twin or triple warming station – heat and serve soups, sauces, proteins and more
- Hinged lid stays open while you serve and captures and returns moisture to the food when closed
- Dedicated temperature-sensing thermostat heats food to perfect serving temperature
- Wrap-around heating elements provide even heat, eliminating wasted servings due to scorching



Twin Well Food Server  
81200

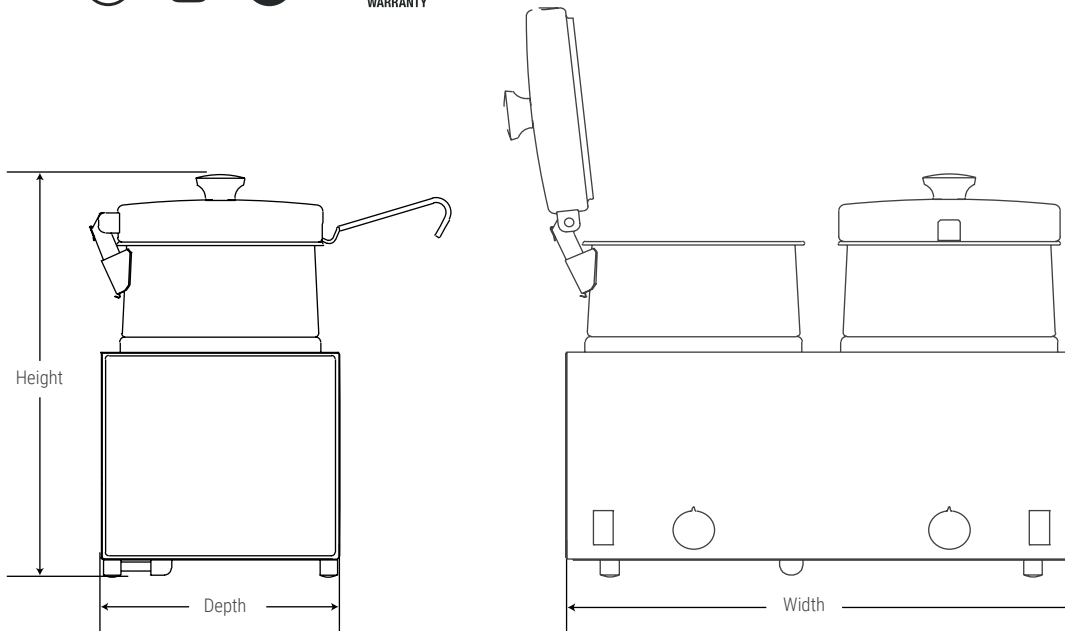


Triple Well Food Server  
85900

## Precision heating for ideal eating.

### FOOD SERVER MODELS: TWIN FS-4 PLUS & TRIPLE FS-4 PLUS

Server Twin and Triple Well Food Server models are constructed of stainless steel. 5 qt insets and lids are included. Each stainless steel water well has a dedicated temperature-sensing thermostat – ranges from 100°F to 200°F – and 500 watt, wrap-around heating element. 72" electrical cord is standard. NSF listed. C-UL-US listed. Two-year warranty.



order amt	model/item	description	capacity	dims (H x W x D)	plug	voltage	watts/amps	weight
<input type="checkbox"/>	<a href="#">Twin FS-4 Plus 81200</a>	twin well food server	(2) 5 qt insets	14 1/2" x 17" x 9 5/8"	5-15P	120 AC	1000W 8.3A	20 lb
<input type="checkbox"/>	<a href="#">Triple FS-4 Plus 85900</a>	triple well food server	(3) 5 qt insets	14 1/2" x 25 1/2" x 9 5/8"	5-15P	120 AC	1500W 12.5A	28 lb

### ACCESSORIES

order amt	item	description
<input type="checkbox"/>	<a href="#">81111</a>	5 qt inset & lid assembly
<input type="checkbox"/>	<a href="#">82574</a>	stainless steel 4 oz ladle, 15" long
<input type="checkbox"/>	<a href="#">82661</a>	stainless steel 6 oz ladle, 15" long

HEAT TO PRECISE TEMPERATURES WITH INSET SOUP WARMERS  
 SERVER-PRODUCTS.COM | 800.558.8722 | 262.628.5600